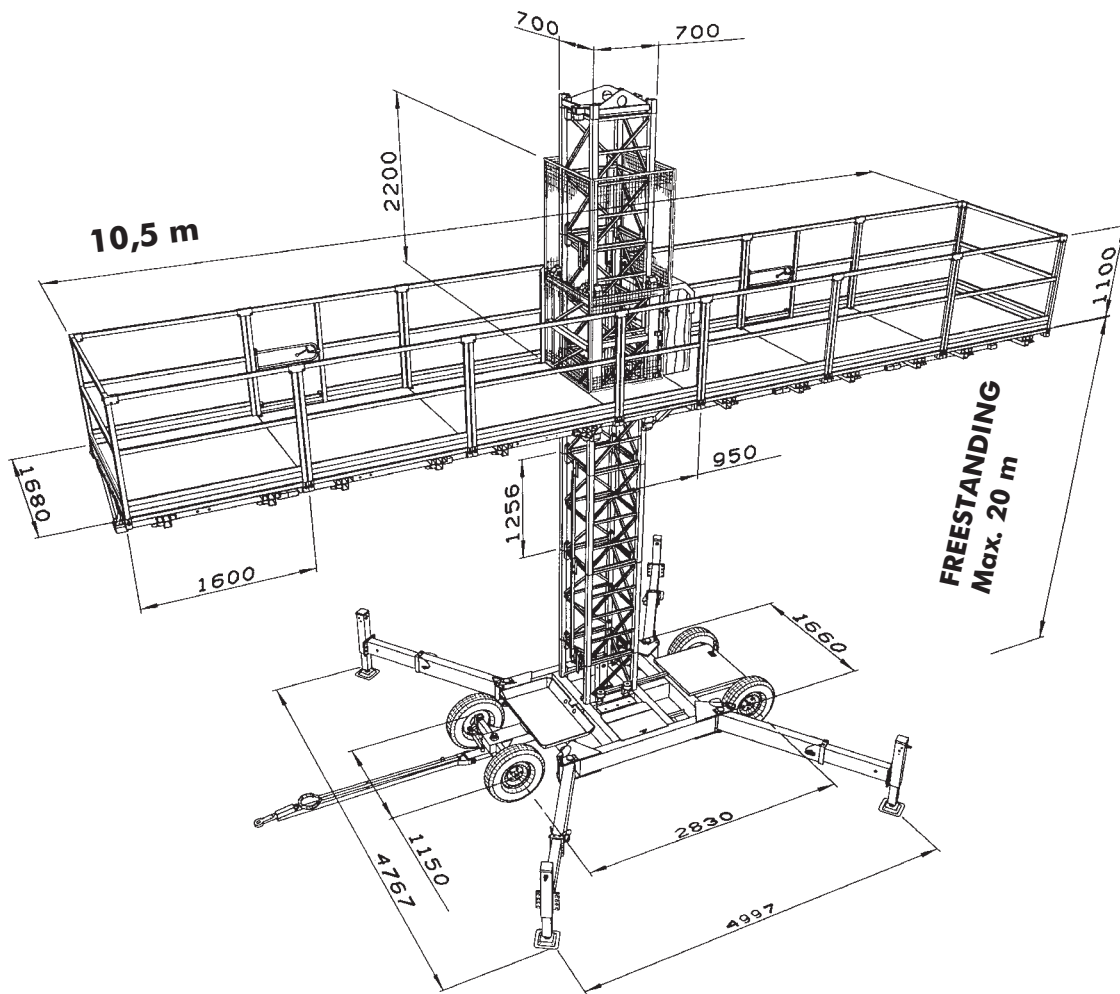


SCANCLIMBER® SC1300



TECHNICAL DATA	SC1300 single	SC1300 Twin
• Max. platform length / loading capacity	4,2 m / 1300 kg 7,4 m / 1000 kg 10,5 m / 700 kg	11,9 m / 2320 kg 18,3 m / 1700 kg
• Max. freestanding height		
- With full extended outriggers	20 m	20 m
- With one side extended outriggers	15 m	15 m
• Max. height with top anchor	25 m	25 m
• Max. height with mast anchored	100 m	100 m
• Distance between anchors	18,5 m	18,5 m
• Max. jack load	50 kN	50 kN
• Transport weight basic unit	3500 kg	2 X 3500 kg
• Lifting speed	6 m/min	6 m/min
• Mast sections hot-dip galvanized	1256 mm / 82 kg	1256 mm / 82 kg
• Electric system:		
- Lifting motors	400 V/50 Hz/3,0 kW/ 3-phase/32 A	2x400V/50 Hz/3,0 kW 3-phase/2x32 A
- Drive motor	400 V/ 1,1 kW	2 x 400 V/ 1,1 kW
• Safety devices:		
- Mechanical safety brake	•	•
- Emergency stop and limit switches	•	•
- Electric magnetical brake	•	•
- Fail current relay	•	•



Platform can be turned 90° to the side of the main platform